

# SA35

35 Watts

## SA35 • Adapter Series

Total Power	<b>35 Watts</b>
Input Voltages	<b>90 - 264 VAC</b>
# of Outputs	<b>Single</b>



Product may vary slightly from photo.

### SPECIAL FEATURES

- CE Mark
- Universal AC input
- Miniature size
- Fully regulated output
- Overload and short circuit protection
- Constant voltage/current/power
- High efficiency
- High MTBF
- IEC320 AC receptacle, 2 pin (type C8)
- Built in EMI filter (CISPR 22 Class B)
- EN61000-4-2, -4, -5

### ENVIRONMENTAL

Operating temperature:  
0°C to +40°C ambient

Storage temperature:  
-10°C to +70°C

MTBF: >100,000 hours at full load and 25°C ambient conditions

### ELECTRICAL SPECIFICATIONS

#### Input

Input range ..... 90 - 264 VAC (wide range)  
 Frequency ..... 47 - 63 Hz  
 Input current ..... 0.8A rms @ 90 VAC; 0.3A @ 264VAC  
 Efficiency ..... >80% @ full load, 115VAC (DC Conversion)  
 EMI/RFI ..... FCC Part 15, Subpart B Class B & CISPR 22

#### Output

Voltage (Vo) ..... 12V, 16V, 20V or 24V  
 Voltage regulation ..... ± 5% @ constant voltage mode  
 Current limit ..... ± 5% @ constant current mode  
 Maximum power (Po) ..... 35W  
 Power limit ..... +10% / -5% @ constant power mode  
 Hold-up time ..... 10 ms. typical at full load @ 115VAC  
 Protection ..... Over Voltage Protection (OVP), AC recycle  
 Short circuit protection: output short circuit (<0.03 ohm), auto recovery  
 Cable/connector ..... DC cable with 2.5mm center plug, barrel type  
 DC plug center +Ve; DC plug outer -Ve

#### Isolation

Double insulated per class 2 of EN60950

### SAFETY

		<b>SA35-3130</b>	<b>SA35-3153/6/9</b>
UL	1950	E132002	E132002VL2-8
CSA	22.2-234	LR53982C	LR53982C
TUV		N/A	S9657827
MITI		91-52958	91-53577
IEC	950		
EN	60950 / with Nordic deviation		
CE	EMC & LVD		
VDE		11774-3336-1230	N/A



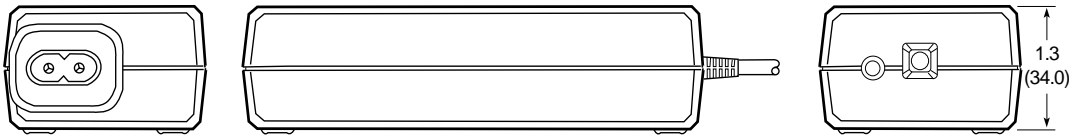
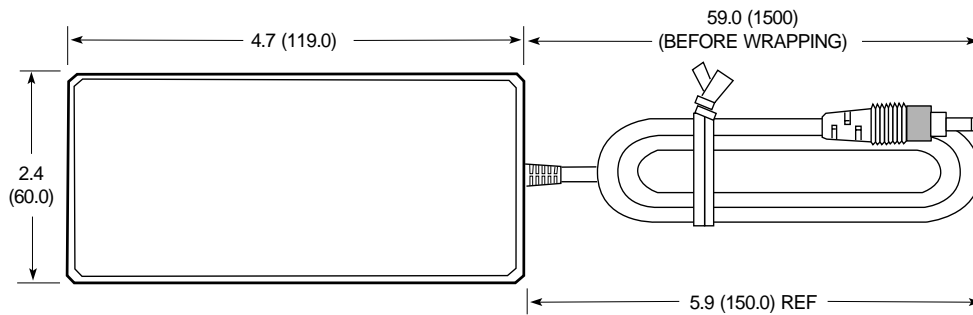
## ORDERING INFORMATION

Model	Power	V <sub>o</sub>	CV/CC <sup>2</sup>	I <sub>o</sub> min	I <sub>o</sub> max <sup>3</sup>	Ripple P/P (PARD) <sup>1</sup>	OVP max	Size
SA35-3130	35W	12V	CV/CC	0 A	2.92 A	120 mV	16V	A
SA35-3153	35W	16V	CV/CP/CC	0 A	2.19 A	160 mV	24V	B
SA35-3156	35W	20V	CV/CP/CC	0 A	1.75 A	200 mV	28V	B
SA35-3159	35W	24V	CV/CP/CC	0 A	1.46 A	240 mV	32V	B

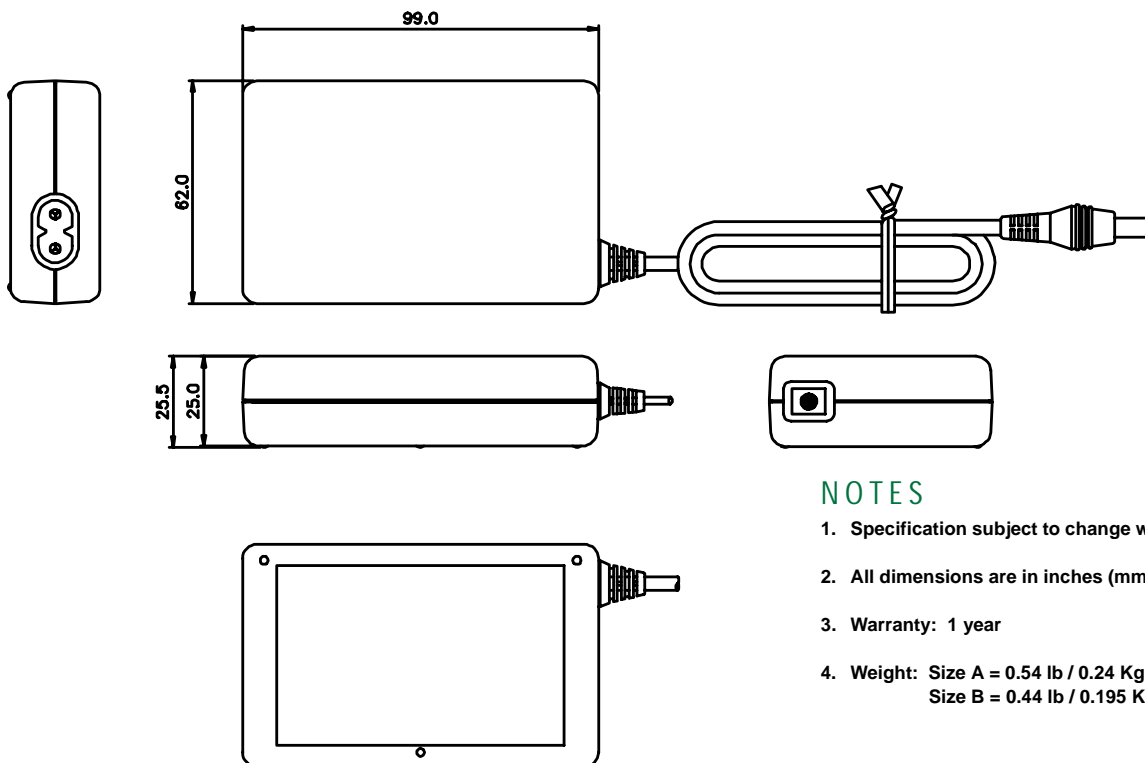
1. Peak-to-peak with 20 MHz bandwidth and 10 µF in parallel with a 0.1 µF capacitor.
2. CV - Constant Voltage: output loads up to I<sub>o</sub> maximum  
 CC - Constant Current: output loads above I<sub>o</sub> maximum
3. Maximum output current at CV & CC modes

## DRAWINGS

Size A



Size B



### NOTES

1. Specification subject to change without notice.
2. All dimensions are in inches (mm).
3. Warranty: 1 year
4. Weight: Size A = 0.54 lb / 0.24 Kg  
 Size B = 0.44 lb / 0.195 Kg

REV 31.10.00

